

EXTRUDER GUNS

NAIL HOLE EXTRUDER GUN

For small tire repairs or rubber application.
Supplied with 5 nozzles

CODE	DESCRIPTION	WEIGHT
50-670P	Rating 400 W - Heater 110V / 220V	6 Kg



EXTRUDER GUNS

Designed for hole filling, reduces working times substantially and offers perfect adherence and uniform repairs guaranteeing total elimination of air.

STANDARD

CODE	DESCRIPTION	WEIGHT
50-685S	Rating 550 W - Heater 110V / 220V	5kg
50-685	Rating 750 W - Heater 110V / 220V	5kg



GIANT

CODE	DESCRIPTION	WEIGHT
50-687	Rating 750 W - Heater 110V / 220V	6kg
50-687S	Rating 750 W - Heater 110V / 220V	6kg



EM

CODE	DESCRIPTION	WEIGHT
50-688EM	Rating 1600 W - Heater 110V / 220V	13 Kg



DUROMETER

CODE	DESCRIPTION	QTY/BOX
52-092	DUROMETER	1

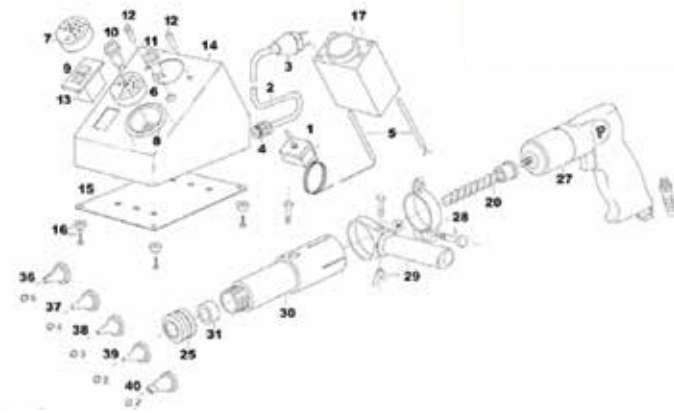
EXTRUDER BALANCERS WITH STEEL CABLE

CODE	DESCRIPTION	QTY/BOX
52-671	Balancer with stell cable / Cable lenth 2.3m / Max 5 Kg	1
52-671-10	Balancer with stell cable / Cable lenth 2.3m / Max 10 Kg	1



SPARE PARTS

EXTRUDER TUBELESS COD. 670



1	Thermostat	670/01
2	Cord	670/02
3	Plug	670/03
4	Fair lead cord	670/04
5	Heat element 110/220V	670/05
6	Knob °F	670/06
7	Knob °C	670/07
8	Metal Ring	670/08
9	Metal Plate	670/09
10	Green pilot light	670/10
11	Red pilot light	670/11
12	Screw M8D	670/12
13	Switch	670/13
14	Box	670/14
15	Metal Plate	670/15
16	Rubber grommets	670/16
17	Heater box	670/17
20	Bosch extruder screw	670/20
25	Nozzle adapter	670/25
27	Pneutec drill 400 W	670/27
28	Screw M 8 T	670/28
29	Pneutec handle	670/29
30	Pneutec control body	670/30
31	Bushing Ø 22X15X15	670/31
36	Shaped nozzle Ø 5	670/36
37	Shaped nozzle Ø 4	670/37
38	Shaped nozzle Ø 3	670/38
39	Shaped nozzle diam. 2	670/39
40	Shaped nozzle Ø 7	670/40

SPARE PARTS

EXTRUDER TUBELESS COD. 685

	PARTS	NORMAL	MAGNUM	GIANT
1	Shaped Nozzle	685/01	686/01	686/01
2	Nozzle adapter	685/02	686/02	686/02
3	Screw for head cap	685/03	685/03	685/03
4	Head	685/04	686/04	686/04
5	Cooling Sleeve	685/05	686/05	686/05
6	Handle	685/06	685/06	685/06
7	Central Body	685/07	686/07	686/07
8	Clamp with screw	685/08	685/08	685/08
9	Extruder screw	685/09	686/09	686/09
10	Square joint	685/10	685/10	685/10
11	Tang	685/11	685/11	685/11
12	Bosch drill	685/12	685/12	685/12
13	Heat element 220V	685/13	685/13	685/13
14	Heat element 110V	685/14	685/14	685/14
15	Thermostat	685/15	685/15	685/15
16	Control Box	685/16	685/16	685/16
17	Screw for control box	685/17	685/17	685/17
18	Screw for thermostat	685/18	685/18	685/18
19	Knob °C (Knob °F 685/191)	685/19	685/19	685/19
20	Pilot light	685/20	685/20	685/20
22	Muffler	685/22	685/22	685/22
29	Front Bushing	685/29	686/29	686/29
30	Back Bushing	685/30	686/30	686/30

